



Main Features

- ♦ 16:9 8.9" Fanless Panel Computer
- ♦ Intel® Atom™ N270, Low Consumption CPU
- ♦ 2nd Display VGA Port
- ♦ Dual GbE
- ♦ 2 x USB/1 x Mini-PCIe/1 x CF/1 x RS232, 1 x RS232/422/485
- ♦ Optional Touch Screen, WiFi Module, 2.5" HDD
- ♦ DDR2 1GB
- ♦ 2.5" HDD Bracket
- ♦ Two Speakers
- ♦ CF as Default (DVI/COM2 as Optional)
- ♦ +12V Power Adaptor
- ♦ Dimension: 225mm (W) x 139mm (H) x 53.9mm(D)

Product Overview

NEXCOM's Multimedia Panel PC incorporates a 16:9 LCD touch screen panel, industrial motherboard and PowerDigiS Digital Signage Software making it the perfect "signage ready" Panel PC solution for the Self Service/Kiosk applications. The front panel with touch screen is IP-65 compliant and is therefore resistant to water and dust.

The MPPC 0810T is available in 8.9" LCD size with resolutions up to 800x600(VGA). Other features include built-in dual Ethernet and optional WiFi module and the slimmest x86 based touch terminal. Designed for an extended number of applications the MPPC Series can be utilized as a thin client computer or within in-vehicle systems, portable devices, and digitalized home and POS / Kiosk terminals.

Specifications

Panel

- ♦ LCD size: 8.9", 16:9
- ♦ Resolution: WSVGA, 1024 x 600
- ♦ Pixel pitch: 0.1905mm (H) x 0.189mm (V)
- ♦ Luminance: 220 cd/m²
- ♦ Contrast ratio: 500
- ♦ Viewing angle: 50 (U), 60 (D), 70 (L), 70 (R)
- ♦ Response time: 30 ms
- ♦ Backlight: LED Backlight
- ♦ Touch screen (optional): 5-line Resistive
- ♦ Touch light transmission: 80%
- ♦ Touch interface: USB

System

- ♦ CPU: Onboard Intel® Atom™ N270 1.6GHz (2.5W)
- ♦ BIOS: Award 8Mbit Flash BIOS
- ♦ System chipset: Intel® 945GSE / ICH7M
- ♦ I/O chip: ITE8712F
- ♦ System memory: 1GB DDR2 and One 200-pin DDR2 SODIMM supports up to 2GB DDR2 400/533 (1GB per bank)

- ♦ SSD: One CF socket by IDE secondary slave channel supports Type I / II Compact Flash Card
- ♦ Hard driver bay: Optional 2.5" SATA HDD
- ♦ Watchdog Timer
Reset: 1 sec. to 255 min. and 1 sec. or 1 min./step
- ♦ H/W status monitor: Monitoring system temperature, voltage, and cooling fan status.
- ♦ Expansion: Mini-PCIe

Rear I/O

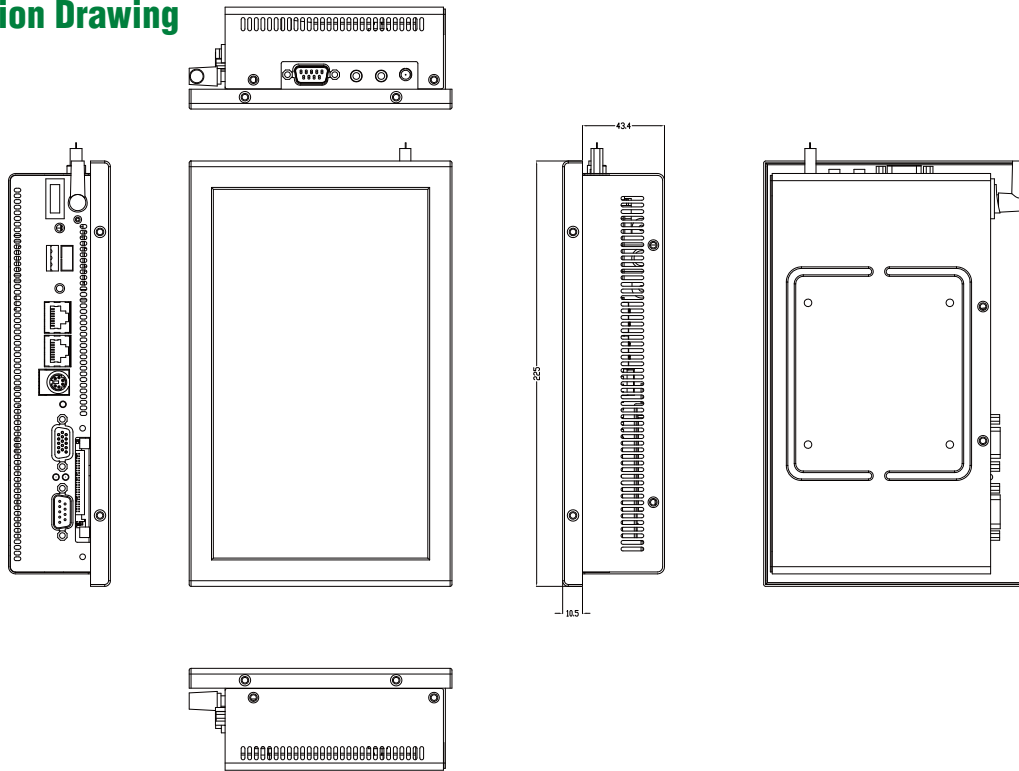
- ♦ Serial port: 1 x RS232, 1 x RS232/422/485
- ♦ Ethernet: 2 x RJ45
- ♦ VGA: 1 x DB-15
- ♦ Audio port: Line out
- ♦ USB: 2 x USB 2.0

Audio

- ♦ AC97 codec: Realtek ALC 655 supports 5.1CH Audio
- ♦ Audio interface
Connector: Line out



Dimension Drawing



Ethernet

- LAN chip: Dual Marvell 88E8053 Gigabit LAN
- Ethernet interface: 10/100/1000 Base-Tx Fast Ethernet compatible

Mechanical & Environment

- Color: Front & Rear panel Black
- Mounting: Wall/Stand/VESA 75mm x 75mm
- Power input: 100Vdc to 250 Vdc/ 47Hz to 63Hz
- Power output: +12 Vdc / 7A (80W)
- Operating temperature: 32 to 104°F (0 to 40°C)
- Storage temperature: -4 to 167°F (-20 to 75°C)
- Operating humidity: 5% to 90% relative humidity, non-condensing
- Dimensions: 225mm (W) x 139mm (H) x 53.9mm(D)
- Weight: 1.41Kgs

Ordering Information

- **MPPC 0810 (P/N: 7800000018X00)**
8.9" TFT Panel PC with Intel® Atom™ N270 1.6GHz, 1GB DDR2
- **MPPC 0810T (P/N: 7800000019X00)**
8.9" TFT Panel PC with Intel® Atom™ N270 1.6GHz, 1GB DDR2 with Touch screen